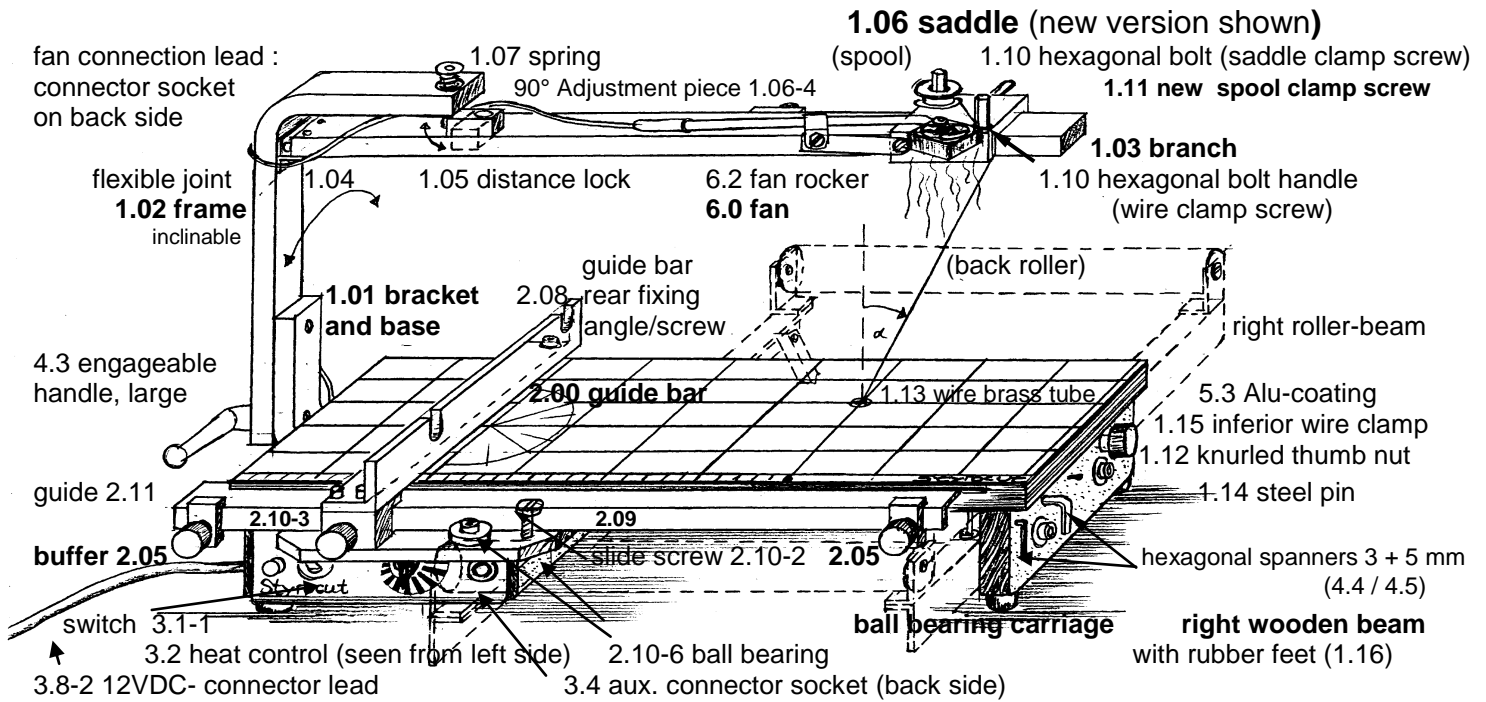


STYROCUT-3



Order Codes (add to 24-....), name and prices in Euro (EUR) net without MwSt / VAT

No.	order name	EUR net	No.	order name	EUR net
1.01-0	from 1/2008: base STYROCUT- 2/3		2.10-0	ball bearing's carriage bar (bord only)	
1.01-2	bracket STYROCUT-2		2.10-1	ball bearing's carriage complete	
1.01-3	bracket STYROCUT- 3		2.10-2	slide screw M 4 x 25 mm A2, counter nut	
1.02-2	frame STYROCUT- 2 incl. bending joint		2.10-3	carriage-block with knurled screw M5x12 and thrust p.	
1.02-3	frame STYROCUT- 3 incl. bending joint		2.10-4	knurled thump screw M 5 x 12 mm	
1.03-2	bare branch. STYROCUT-2		2.10-5	thrust piece 5x5x16mm (sometimes to be grinded)	0.30
1.03-3	bare branch. STYROCUT-3		2.10-6	ball bearing, screw and washers	
1.04-2	bending joint STYROCUT- 2 (and Junior)		3.0-1	EU-in-plug power supply 100-240 VAC -12 VDC	29.90
1.04-3	bending joint STYROCUT- 3		3.0-2	Worldwide-power-supply 12VDC with exchangeable plug EU - U.K. - or North America (please note)	32.90
1.05	distance lock with disc spring and screw		3.0-3	power adapter-plug North America for 3.01-1 for old version	1.20
1.06-1	saddle. cpl. STYROCUT- 2/3 old, knurled clamp screw on top		3.0-4	Power adapter-plug United Kingdom for 3.01-1 old version	2.40
1.06-2	saddle complete STYROCUT- 2/3 clamp screw behind		3.0-5	Power supply strong 3A	39.90
1.06-3	bare saddle. STYROCUT- 2/3		3.1	electrical circuitry St.- 2+3	
1.06-4	90°-Adjustment piece with washer and screw	3.40	3.1-1	switch	4.70
1.07	stainless spring + screw M5		3.2	heat control, nuts, knob (potentiometer)	58,10
1.08	wire clamp screw knurled, M 3 x 5 mm (old version)	1.90	3.2-1	knob for heat control	3.00
1.09	saddle lock screw M4x25, washer (old version)	3.80	3.3	glow lamp 115/230 V or LED 12V with cord, new	
1.10	hexagonal bolt handle M 4 x 6 mm., bare, rear fixing	1.20	3.4	aux. connector socket 6.3 mm mono	
1.11	New knurled spool clamp screw, 2 washers	1.50	3.4-1	connector socket 5,5/2,5 mm for power supply/pedal	
1.12	knurled thumb nut M5 + washer	3.40	3.5	round spare-transformer 230/12VAC, 2,5 A for old 220/11,5VAC	
1.13	wire brass tube 1.5 x 1.5 mm – replacement set	7,00	3.7	lead with U.K.-plug-adaptor for 230V- pedal switch	
1.14	steel pin (to push the wire-brass tube, just part of Styrocut-3)		3.8	UK-Adapter-plug for use of German plug pedal switch	
1.15	inferior wire clamp complete for Styrocute-2/3		3.9	12VDC-connector lead (pedal switch to Styrocute)	
1.15-1	inferior wire clamp thread with counter nut and srew		4.1	engageable handle, small. for angle cutting glide	5.50
1.15-2	inferior wire clamp tube Alu 8x6mm		4.2	engageable handle, large for ST.- 2. M 6 x 25 mm	7.50
1.16	4 rubber feet without screws	3.80	4.3	engageable handle, large for ST.- 3. M 6 x 30 mm	7.60
2.00	guide bar St. 2+3 + 2 screws. lock washers		4.4	hexagonal spanner, small 3 mm CrV	1.20
2.05	buffer St. 2/3 with knurled thumb nut	13.30	4.5	hexagonal spanner, large 5 mm CrV	1.70
2.08	guide bar rear fixing. screw and washer	3.50	5.1	alu-coating surface	
2.08-1	rear fixing angle		5.2	Alu-coating St.-2 and Junior, self adhesive, Set	29.40
2.08-2	rear fixing screw M 4 x 35 mm + washer		5.3	Alu-coating St.-3, self adhesive, Set	34.20
2.09-1	guide for Styrocute-Junior 345 mm see Styrocute-2		6.0	fan 12V, rocker, lead. plug, complete with fastening	43.20
2.09-2	guide for STYROCUT- 2 400 mm with fastening		6.1	bare fan	
2.09-3	guide for STYROCUT- 3 590 mm with fastening		6.2	fan rocker, complete with fastenings	
			6.3	connection lead for fan, to be soldered	
			6.4	fan-rocker-clamp with washer and screw	
			10.2	cutting height extension St2/3, +60-110 mm	20.40
				To be combined with wire 0,25 mm-10m-spool	4.00
				and power supply strong 3A	39.90