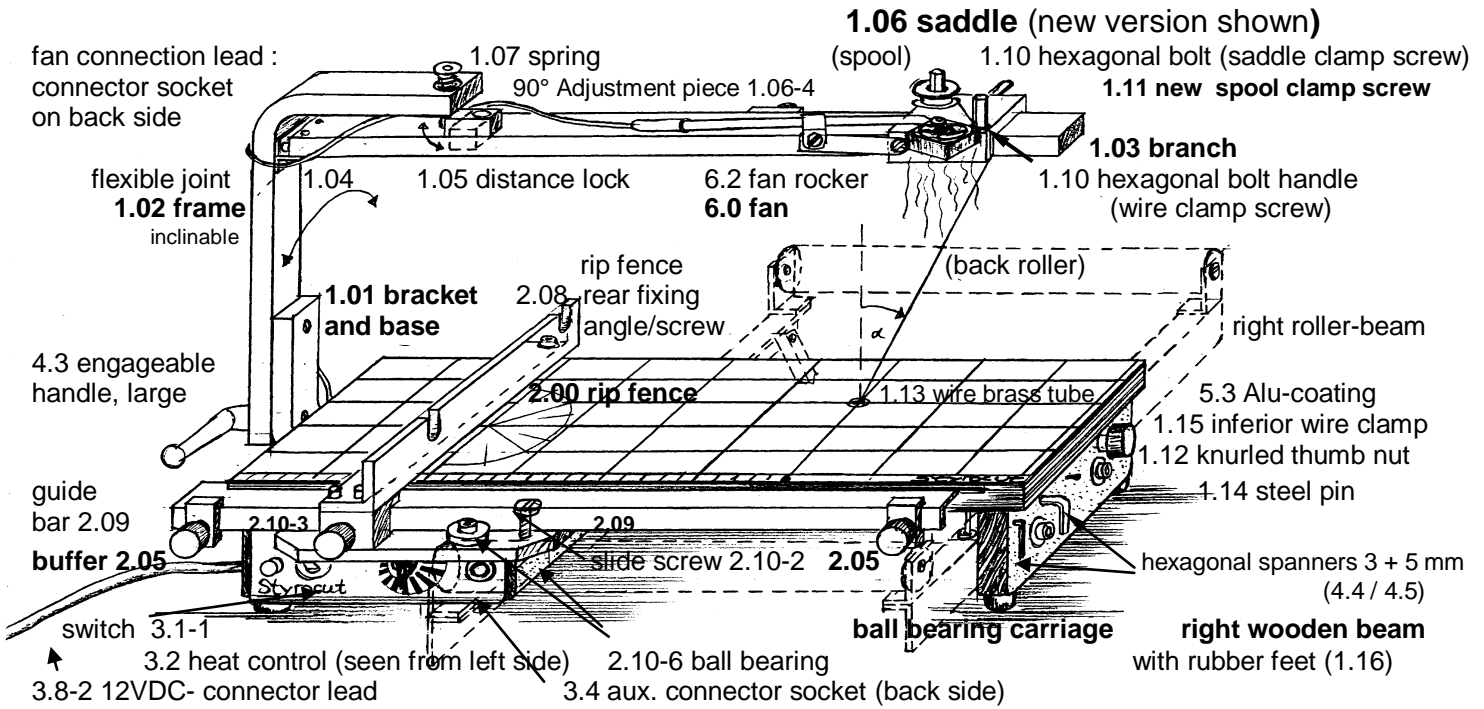


STYROCUT-3



Order Codes (add to 24-....), name and prices in Euro (EUR) net without MwSt / VAT

No.	order name	No.	order name
	STYROCUT 2 – Junior parts replace by St.2- parts	2.10-0	ball bearing's carriage bar (bord only)
1.01-0	from 1/2008: base STYROCUT- 2/3	2.10-1	ball bearing's carriage complete
1.01-2	bracket STYROCUT-2	2.10-2	slide screw M 4 x 25 mm A2, counter nut
1.01-3	bracket STYROCUT- 3	2.10-3	carriage-block with knurled screw M5x12 and thrust p.
1.02-2	frame STYROCUT- 2 incl. bending joint	2.10-4	knurled thump screw M 5 x 12 mm
1.02-3	frame STYROCUT- 3 incl. bending joint	2.10-5	thrust piece 5x5x16mm with grease-filler
1.03-2	bare branch. STYROCUT-2	2.10-6	ball bearing, screw and washers
1.03-3	bare branch. STYROCUT-3		
1.04-2	bending joint STYROCUT- 2 (and Junior)	3.0-1	EU-in-plug power supply 100-240 VAC –12 VDC
1.04-3	bending joint STYROCUT- 3	3.0-2	Worldwide-power-supply 12VDC – 2A with exchangeable line EU , North America available
		3.0-5	Power supply strong 3-5 A
1.05	distance lock with disc spring and screw	3.1	electrical circuitry St.- 2+3 complete
		3.1-1	switch
1.06-1	saddle. cpl. STYROCUT- 2/3 old, knurled clamp screw on top	3.2	heat control , nuts, knob (potentiometer)
1.06-2	saddle complete STYROCUT- 2/3 clamp screw behind	3.2-1	knob for heat control
1.06-3	bare saddle. STYROCUT- 2/3	3.3	glow lamp 115/230 V or LED 12V with cord, new
1.06-4	90°-Adjustment piece with washer and screw	3.4	aux. connector socket 6.3 mm mono
1.07	stainless spring + screw M5	3.4-1	connector socket 5,5/2,5 mm for power supply/pedal
		3.5	round spare-transformer 230/12VAC, 2,5 A for old 220/11,5VAC
1.08	wire clamp screw knurled, M 3x5 mm, ZK (old version)	3.7	lead with U.K.-plug-adapter for 230V- pedal switch
1.09	saddle lock screw M4x25, washer (old version)	3.8	UK-Adapter-plug for use of German plug pedal switch
1.10	hexagonal bolt handle M 4 x 6 mm, rear fixing	3.9	12VDC-connector lead (pedal switch to Styrocuto)
1.11	new knurled spool clamp screw, 2 washers		
		4.1	engageable handle, small. for angle cutting glide
1.12	knurled thumb nut M5 + washer	4.2	engageable handle, large for ST.- 2. M 6 x 25 mm
1.13	wire brass tube 1.5 x 1.5 mm – replacement set	4.3	engageable handle, large for ST.- 3. M 6 x 30 mm
1.14	steel pin (to push the wire-brass tube, just part of Styrocuto-3)	4.4	hexagonal spanner, small 3 mm CrV
		4.5	hexagonal spanner, large 5 mm CrV
1.15	inferior wire clamp complete for Styrocuto-2/3		
1.15-1	inferior wire clamp thread with counter nut and srew	5.1	alu-coating surface
1.15-2	inferior wire clamp tube Alu 8x6mm	5.2	Alu-coating St.-2 no longer deliverable (use St-3!)
		5.3	Alu-coating St.-3, self adhesive, Set
1.16	4 rubber feet without screws		
2.00	Guide bar St. 2+3 + 2 screws. lock washers	6.0	fan 12V , rocker, lead. plug, complete with fastening
2.05	buffer St. 2/3 with knurled thumb nut	6.1	bare fan
2.08	rip fence rear fixing. screw and washer	6.2	fan rocker, complete with fastenings
2.08-1	rear fixing angle	6.4	connection lead for fan, to be soldered
2.08-2	rear fixing screw M 4 x 35 mm + washer	6.3	fan-rocker-clamp with washer and screw
2.09-1	guide bar for Styrocuto-Junior 345 mm see Styrocuto-2	10.2	cutting height extension St2/3, +60-110 mm
2.09-2	guide bar for STYROCUT- 2 400 mm with fastening		To be combined with wire 0,25 mm-10m-spool
2.09-3	guide bar for STYROCUT- 3 590 mm with fastening		and power supply strong 3A
			Together with new Styrocuto complete only